



ELECTROLUX OUTDOOR PRODUCTS

brand	McCULLOCH; PARTNER; FLYMO
-------	----------------------------------

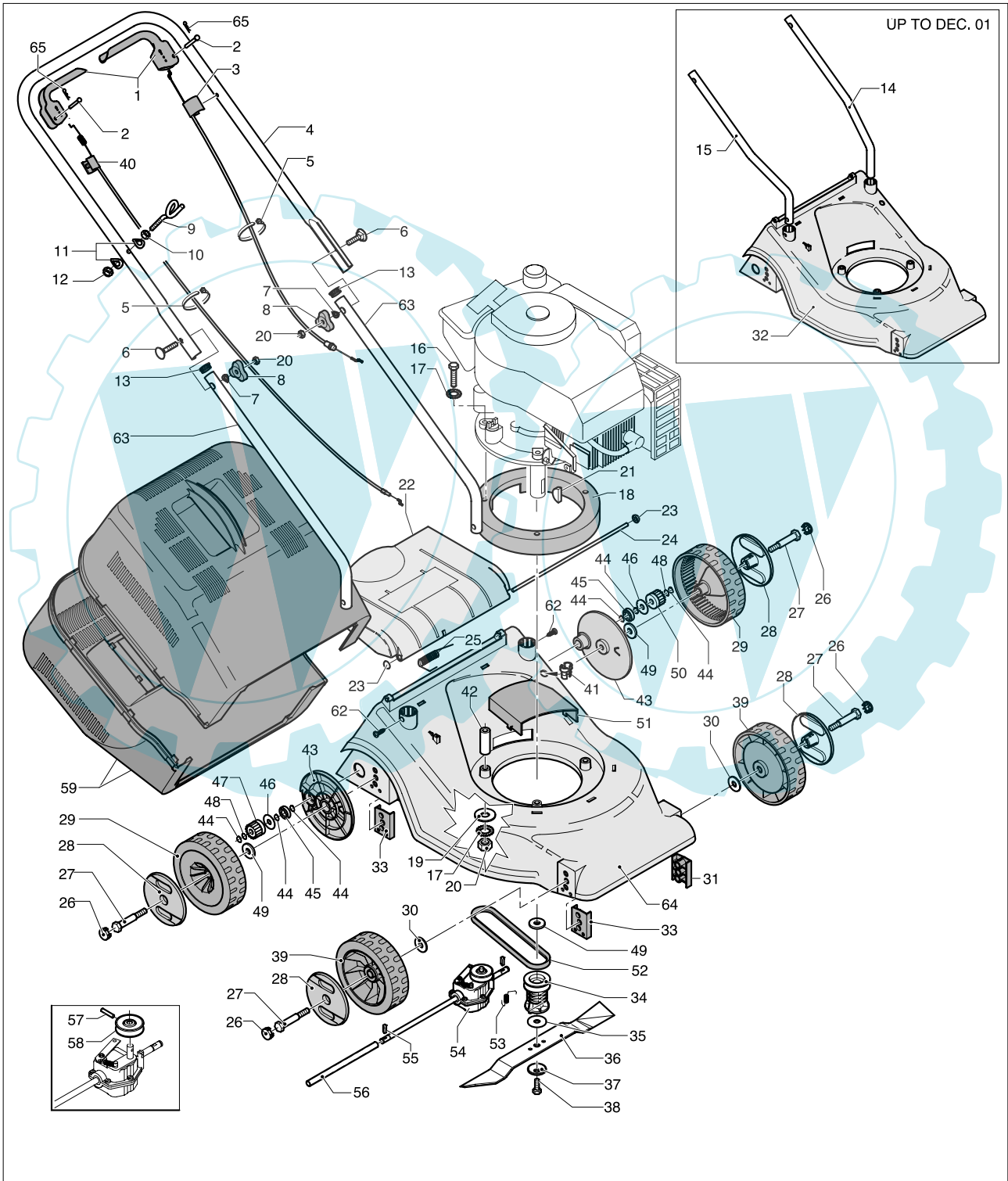
date	2002-01	SHEET 1/2
------	---------	-----------

Model

LM3540PD
3540PD
LC400PD

Product number

9538780-03 McCulloch
9538781-02 Partner
9538780-04; 9538780-14 Flymo



The Electrolux Group. The world's No.1 choice.



ELECTROLUX OUTDOOR PRODUCTS

brand **McCULLOCH; PARTNER; FLYMO**

date 2002-01

SHEET 2/2

LM3540PD; 3540PD; LC400PD

Pos	PN ELX	PN MEP	Q.ty	Note	Pos	PN ELX	PN MEP	Q.ty	Note
1	531 20 60-27	10 1466 33	2		38	531 20 66-49	10 2809 01	1	TEØ3/8" UNFx65
2	531 20 60-32	10 1467 13	2		39	531 20 64-01	10 1650 73	2	Ø 160
3	531 20 64-29	10 1652 50	1	TECNAMOTOR mm 1290/135	40	531 20 64-28	10 1652 40	1	mm 1515
3	531 20 64-38	10 1653 30	1	B&S mm 985/144,5	41	531 20 55-57	10 1354 13	1	
4	531 20 60-69	10 1501 23	1		42	531 20 64-45	10 1654 00	3	H.52,5
5	531 20 55-81	10 1356 00	2		43	531 20 64-02	10 1650 83	2	
6	531 20 70-89	10 4024 01	2	TTSQ M8x50	44	531 20 87-72	20 6558 00	6	Ø 12E
7	531 20 70-90	10 4024 02	2	Ø 8,5	45	531 20 87-78	20 6576 00	2	Ø 12/28/8 6001-2RS
8	531 20 49-23	10 1143 03	2		46	531 20 78-47	10 8312 00	2	Ø 12/34/0,7
9	531 20 51-69	10 1214 70	1		47	531 20 50-45	10 1201 60	1	R/H
10	531 20 71-65	10 5012 00	1	M6	48	531 20 88-59	20 7613 00	2	Ø 12/17/0,3
11	531 20 49-61	10 1159 00	2	Ø 6	49	531 20 71-22	10 4289 00	3	Ø 10/21/2
12	531 20 84-91	20 2818 00	1	M6 NYLON	50	531 20 50-46	10 1201 70	1	L/H
13	531 20 89-50	20 8333 03	2		51	531 20 64-08	10 1651 03	1	
14	531 20 64-13	10 1651 43	1	L/H	52	531 20 63-03	10 1602 20	1	Z.29-10xLi730(- 726)
15	531 20 64-12	10 1651 33	1	R/H	53	531 20 64-27	10 1652 30	1	
16	531 20 57-68	10 1404 20	3	TE M8x90	54	531 20 64-14	10 1651 50	1	
17	531 20 79-81	20 1062 00	6	Ø 8E	55	531 20 51-08	10 1211 60	2	A"S" 5x5x19
18	531 20 73-69	10 6005 03	1		56	531 20 64-39	10 1653 43	1	mm.210
19	531 20 49-04	10 0663 00	3	Ø 8/24	57	531 20 64-53	10 1654 80	1	Ø 5x35
20	531 20 79-82	20 1063 00	5	M8	58	531 20 64-52	10 1654 70	1	
21	531 20 49-07	10 1009 00	1	4x6,5 DIN 6888	59	531 20 63-95	10 1650 33	2	
22	531 20 63-90	10 1650 21	1	YELLOW	62	531 20 79-37	10 8780 00	2	TCTC Ø 3,9x16
22	531 21 05-77	10 1650 2V	1	ORANGE	63	531 21 07-04	10 1656 03	2	
23	531 20 66-90	10 2928 00	2	Ø 6	64	531 21 11-04	10 1656 31	1	YELLOW
24	531 20 64-16	10 1651 70	1	Ø 6x340	64	531 21 11-35	10 1656 3V	1	ORANGE
25	531 20 63-99	10 1650 50	1		65	531 20 74-08	10 6513 00	2	
26	531 20 64-22	10 1652 01	4						
26	531 21 06-98	10 1652 0V	4						
27	531 20 79-77	20 1016 00	4						
28	531 20 64-05	10 1650 91	4	YELLOW					
28	531 21 06-97	10 1650 9V	4	ORANGE					
29	531 20 64-00	10 1650 63	2	Ø 160					
30	531 20 79-89	20 1130 00	2	Ø 10/30/2,5					
31	531 20 64-15	10 1651 63	2	L/H					
32	531 20 63-83	10 1650 11	1	YELLOW					
32	531 21 05-76	10 1650 1V	1	ORANGE					
33	531 20 64-19	10 1651 93	2	R/H					
34	531 20 72-76	10 5483 00	1						
35	531 20 72-43	10 5317 00	1						
36	531 20 62-16	10 1580 13	1	cm.40					
37	531 20 72-37	10 5309 00	1						